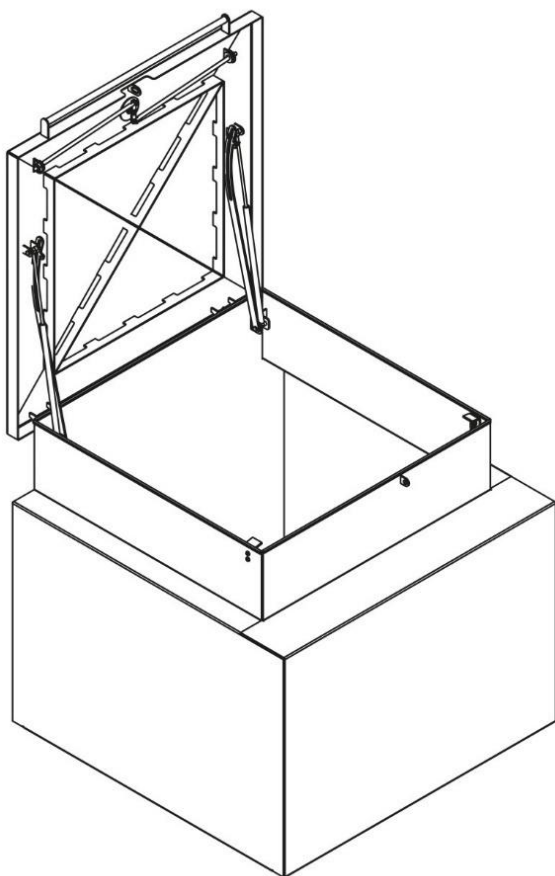


Sump for green area type TB2

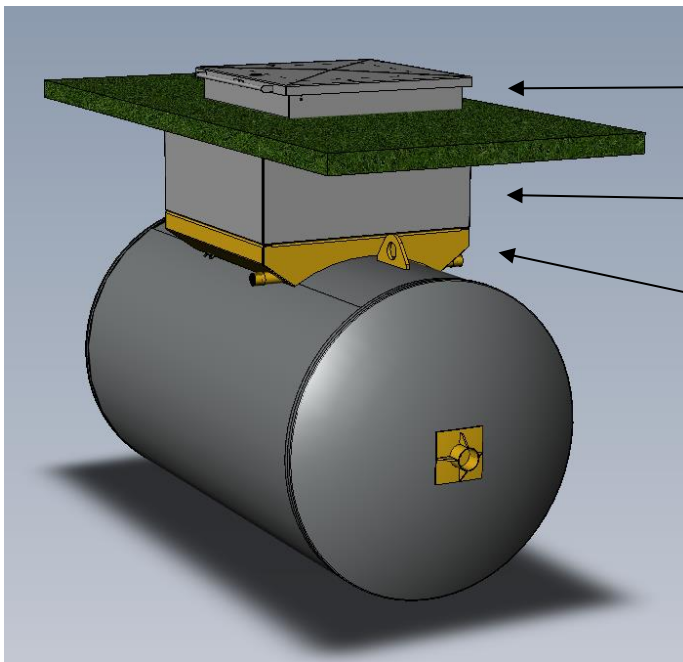
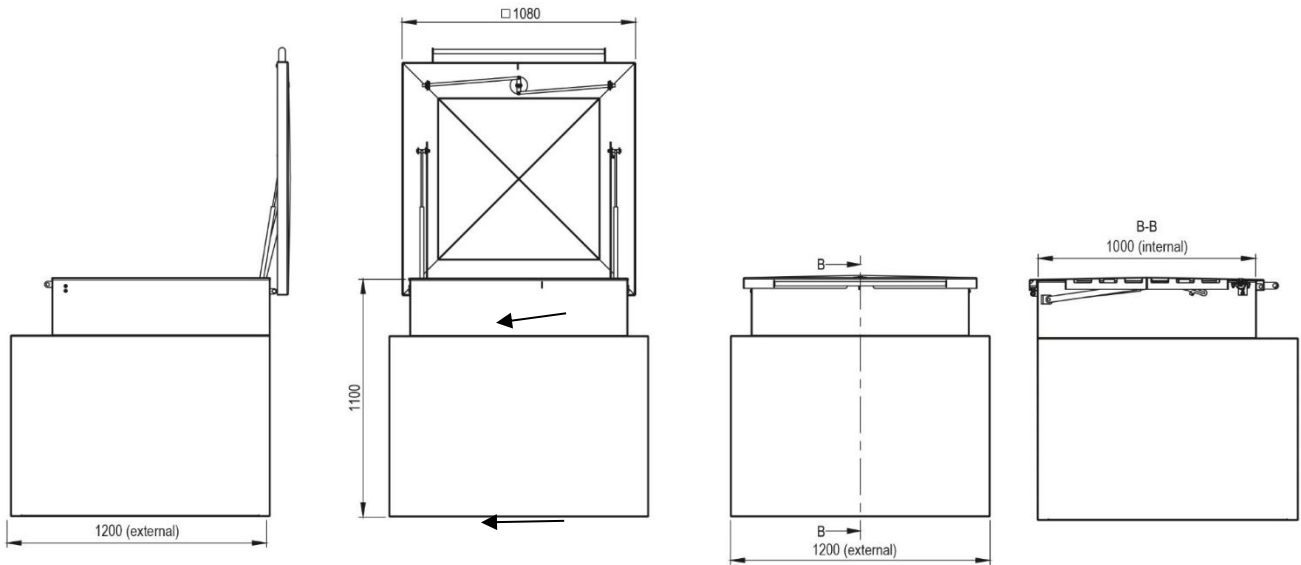
Sump for green area TB2 1200x1200, h=1100 with clearance 1000x1000 and cover 1080x1080 (7KN)



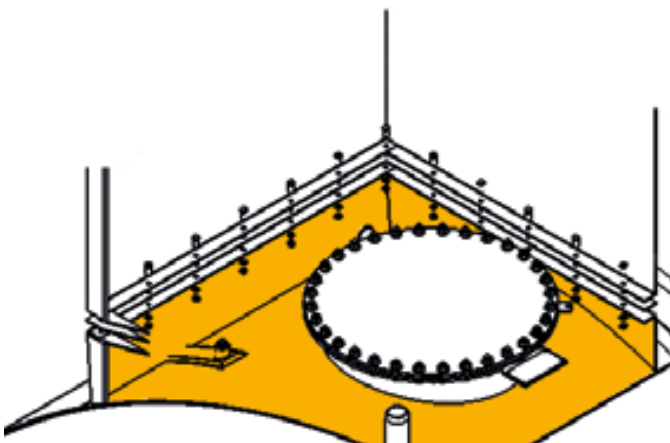
Sump type and code	Version	Equipment					
		Sump body, hot dip galvanized 740-002-0031	Sump body painted with polyurethane 740-000-0135	Sump body painted with primer 740-000-0147	Galvanized sump cover with a lock 749-002-0020	Aluminum sump cover with a lock 749-359-0002	Gas cylinder 253-990-0009
TB2-ZZ 740-002-0032	Sump with galvanized body and galvanized cover	■	-	-	■	-	■
TB2-EZ 740-000-0136	Sump with polyurethane painted body and galvanized cover	-	■	-	■	-	■
TB2-ZA 740-002-0033	Sump with galvanized body and aluminum cover	■	-	-	-	■	■
TB2-EA 740-000-0137	Sump with polyurethane painted body and aluminum cover	-	■	-	-	■	■
TB2-PZ 740-000-0148	Sump painted with primer and galvanized cover	-	-	■	■	-	-
TB2-PA 794-600-0004	Sump painted with primer and aluminum cover	-	-	■	-	■	-

Optional equipment: 244-310-0088 – Safety grating

Sump for green area TB2 1200x1200, h = 1100 with clearance 1000x1000 and cover 1080x1080 (7KN)



- ← Sump cover
- ← Sump
- ← Frame for bolting sump to tank



Installation to tank access shaft with screws.

