

Aboveground tanks

Double skinned – vertical

Description

Double skinned vertical steel tanks from CGH are mainly manufactured according to standard DIN6618 and comes in sizes from 5 to 100 m³. Can also be produced according to other standards upon request.

The tanks are manufactured as standard in the following diameters: 1600 - 2000 - 2500 - 2900 mm. Can also be manufactured in special sizes.

Double skinned horizontal tanks are made of two layers of steel and the spacing between the two layers can be continuously monitored by an alarm system so that leaks from the tank cannot take place.

The tanks are normally used for oil and petrol products but can also be used for various chemicals etc. The tanks are normally coated to minimum corrosion class C3M and it recommended that the tanks are also coated on the inside and here we offer various coatings to suit your needs.

The tanks are available with a wide selection of accessories such as ladder / platform / railing, complete piping, overfill protection, etc.



Special tank 51 m³ diameter 3200 mm

- **Short delivery times**
- **High Quality - ISO 9001 certified**
- **Modern production equipment**
- **Competitive prices**
- **Strong partner**
- **Wide range of accessories**

Quality

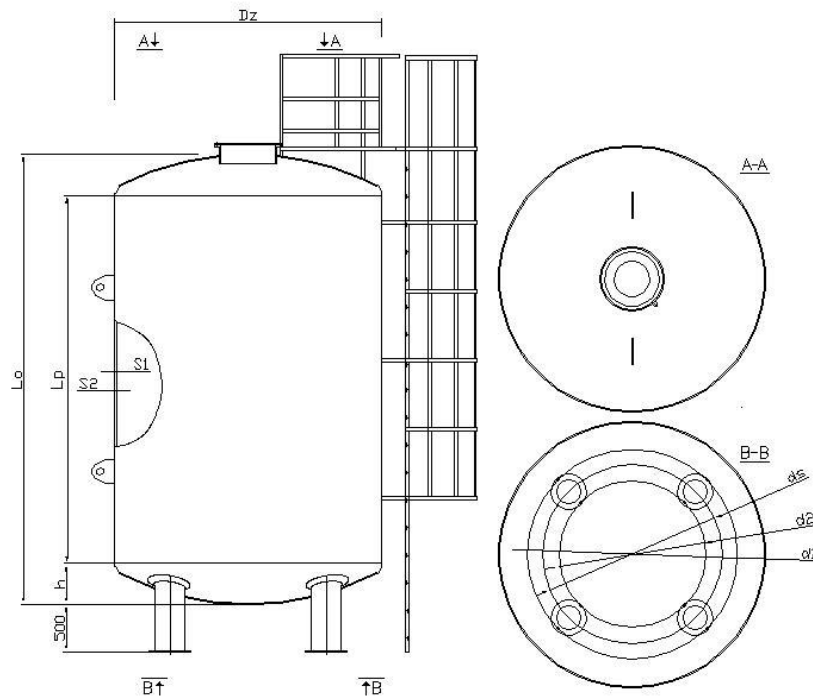
Production takes place according to ISO 9001 and the quality is constantly tested to ensure the highest possible quality of our products. All tanks are supplied with a comprehensive documentation folder containing:

- Tank Certification / approval
- Manufacturing Report
- Pressure Test Report
- Material Specifications
- Drawing
- Test Report of surface treatment
- Guarantee Form
- Installation Instructions



20 m³ tank diameter Ø 2500 mm. With ladder and platform on top of tank, fill point to ground level, leak detection system etc.

Measurements



Volume		Diameter		Length		Cylindrical length		Weight	Height of dish ends	Man way	Support			Thickness		Gross volume*		
V	m ³	∅Dz	mm	Lo	mm	Lp	mm	kg	h	mm	mm	∅	d _s	d ₁	d ₂	S ₁	S ₂	Liter
5		1600		3040		2500		1525	270	600	300x5	1200	1440	960	5	3		5.603
8		1600		4540		4000		1940	270	600	300x5	1200	1440	960	5	3		8.550
10		1600		5540		5000		2540	270	600	300x5	1200	1440	960	5	3		10.567
13		1600		7040		6500		3170	270	600	350x5	1150	1440	860	5	3		13.499
10		2000		3660		3000		2660	330	600	350x6	1500	1790	1210	6	3		10.470
13		2000		4660		4000		3210	330	600	350x6	1500	1790	1210	6	3		13.573
16		2000		5660		5000		3820	330	600	350x6	1500	1790	1210	6	3		16.675
19		2000		6660		6000		4500	330	600	350x6	1500	1790	1210	6	3		19.815
25		2000		8660		8000		5600	330	600	400x6	1500	1840	1160	6	3		25.983
20		2500		4800		4000		4540	400	600	400x7	1950	2290	1610	7	4/5		21.549
25		2500		5800		5000		5300	400	600	400x7	1950	2290	1610	7	4/5		26.402
30		2500		6800		6000		6170	400	600	400x7	1950	2290	1610	7	4/5		31.255
40		2500		8800		8000		7880	400	600	400x7	1950	2290	1610	7	4/5		40.961
20		2900		3900		3000		5610	450	600	450x9	2400	2790	2010	9	4/5		22.767
30		2900		5400		4500		6850	450	600	450x9	2400	2790	2010	9	4/5		32.552
40		2900		6900		6000		8440	450	600	450x9	2400	2790	2010	9	4/5		42.337
50		2900		8400		7500		10350	450	600	450x9	2400	2790	2010	9	4/5		52.122
60		2900		9900		9000		11750	450	600	450x9	2400	2790	2010	9	4/5		61.907
80		2900		12900		12000		15400	450	600	450x9	2400	2790	2010	9	4/5		81.477
100		2900		15900		15000		18700	450	600	480x9	2400	2820	1980	9	4/5		101.046

* Max filling ratio is 95% of the gross volume. All measurements are indicative and not binding.