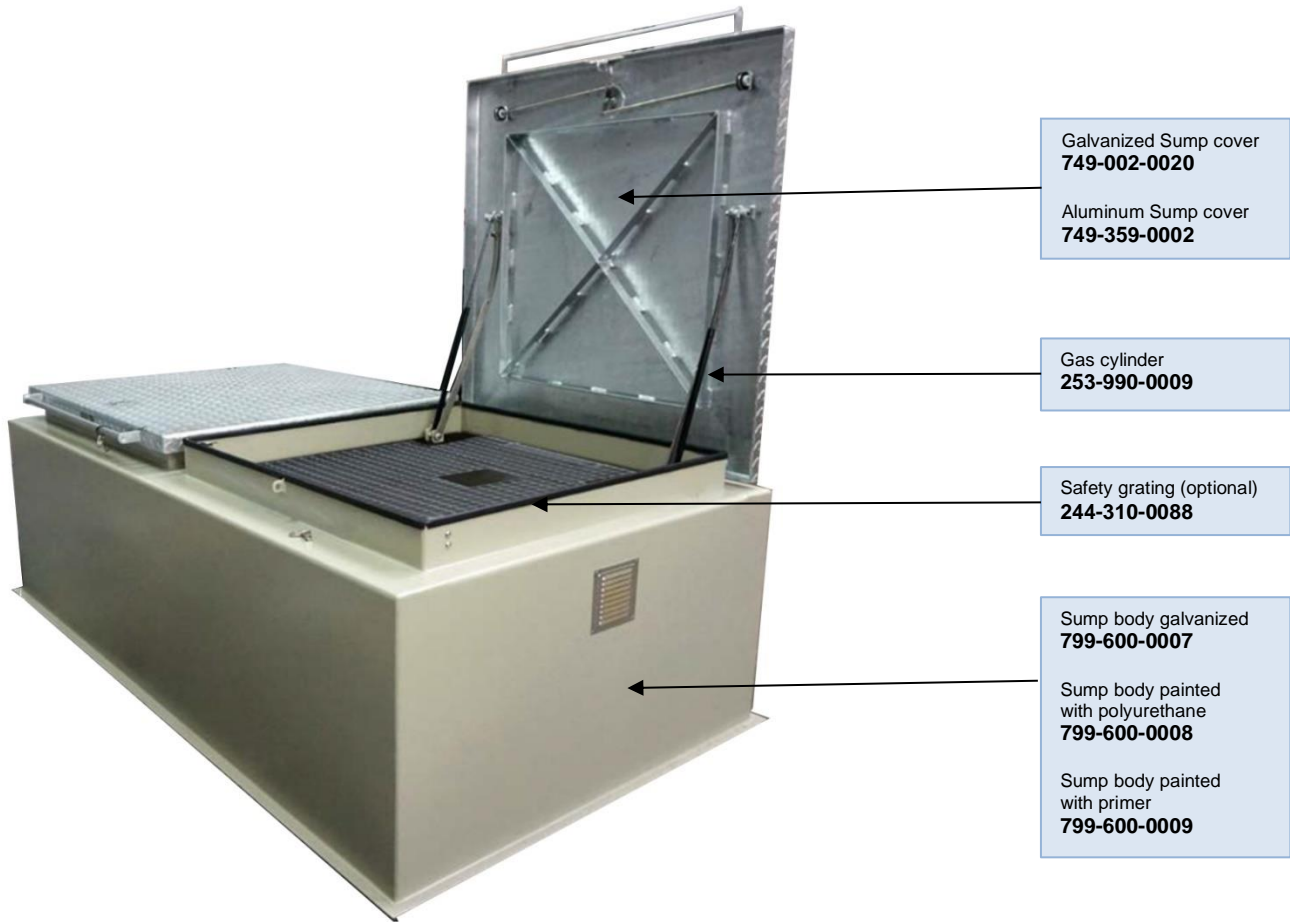


Sump for green area type TB3

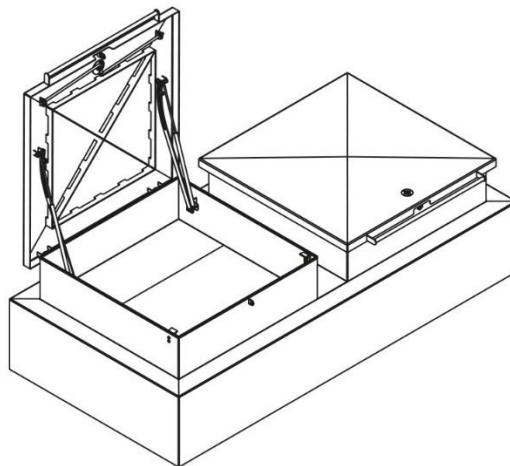
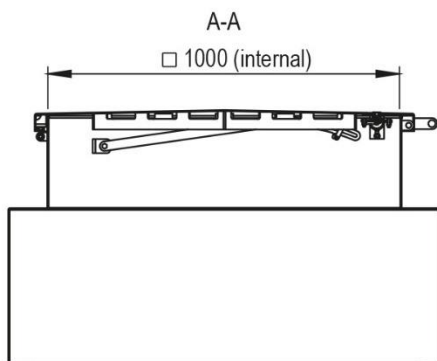
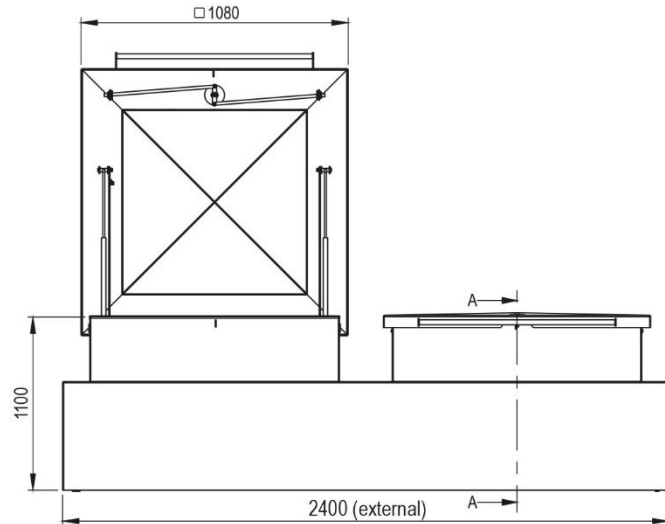
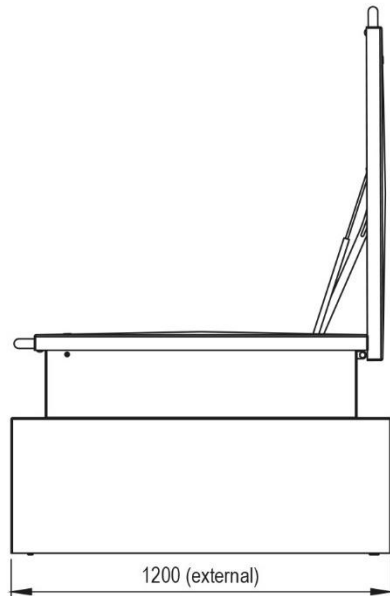
Sump for green area TB3 1200x2400, h=1100 with clearance 1000x1000 and covers 1080x1080 (7KN)



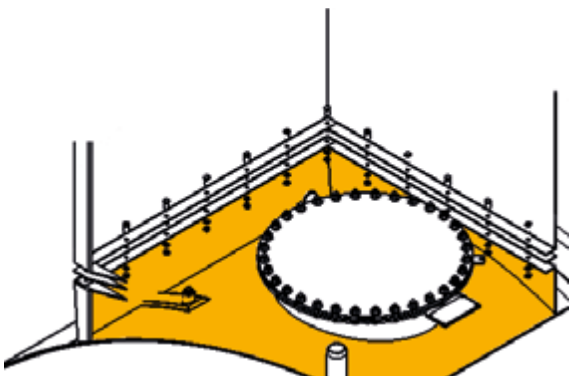
Sump type and code	Version	Equipment					
		Sump body, hot dip galvanized 799-600-0007	Sump body painted with polyurethane 799-600-0008	Sump body painted with primer 799-600-0009	Galvanized sump cover with a lock 749-002-0020	Aluminum sump cover with a lock 749-359-0002	Gas cylinder 253-990-0009
TB3-ZZ 794-600-0005	Sump with galvanized body and galvanized cover	■	-	-	■	-	■
TB3-EZ 794-600-0006	Sump with polyurethane painted body and galvanized cover	-	■	-	■	-	■
TB3-ZA 792-600-0005	Sump with galvanized body and aluminum cover	■	-	-	-	■	■
TB3-EA 792-600-0006	Sump with polyurethane painted body and aluminum cover	-	■	-	-	■	■
TB3-PZ 792-600-0007	Sump painted with primer and galvanized cover	-	-	■	■	-	-
TB3-PA 792-600-0008	Sump painted with primer and aluminum cover	-	-	■	-	■	-

Optional equipment: 244-310-0088 – Safety grating

Sump for green area TB3 1200x2400, h=1100 with clearance 1000x1000 and covers 1080x1080 (7KN)



Method of mounting to the tank



Installation to tank access shaft with screws.

