

Aboveground tanks

Single skinned – vertical

Description

Single skinned vertical steel tanks from CGH are mainly manufactured according to standard DIN6618 and comes in sizes from 5 to 100 m³. Can also be produced according to other standards upon request.

The tanks are manufactured as standard in the following diameters: 1600 - 2000 - 2500 - 2900 mm. Can also be manufactured in special sizes.

The tanks are normally used for oil and petrol products but can also be used for various chemicals etc. The tanks are normally coated to minimum corrosion class C3M and it recommended that the tanks are also coated on the inside and here we offer various coatings to suit your needs.

The tanks are available with a wide selection of accessories such as ladder / platform / railing, complete piping, overfill protection, etc.



Special tank 51 m³ diameter 3200 mm

- Short delivery times
- High Quality - ISO 9001 certified
- Modern production equipment
- Competitive prices
- Strong partner
- Wide range of accessories

Quality

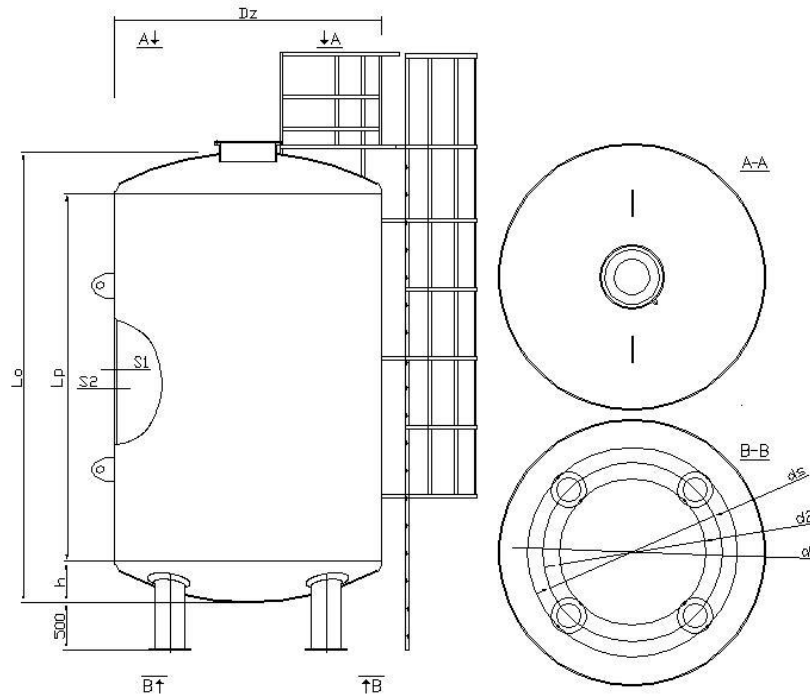
Production takes place according to ISO 9001 and the quality is constantly tested to ensure the highest possible quality of our products. All tanks are supplied with a comprehensive documentation folder containing:

- Tank Certification / approval
- Manufacturing Report
- Pressure Test Report
- Material Specifications
- Drawing
- Test Report of surface treatment
- Guarantee Form
- Installation Instructions



20 m³ tank diameter Ø 2500 mm. With ladder and platform on top of tank, fill point to ground level.

Measurements



Volume		Diameter		Length	Cylindrical length		Weight	Height of dish ends		Man way	Support			Thickness	Gross volume*		
V	m ³	$\varnothing Dz$	mm	Lo	mm	Lp	mm	kg	h	mm	mm	\varnothing	d_s	d_1	d_2	S_1	Liter
5		1600		3040		2500		980	270		600	300x5	1200	1440	960	5	5.603
8		1600		4540		4000		1200	270		600	300x5	1200	1440	960	5	8.550
10		1600		5540		5000		1510	270		600	300x5	1200	1440	960	5	10.567
13		1600		7040		6500		1830	270		600	350x5	1150	1440	860	5	13.499
10		2000		3660		3000		1600	330		600	350x6	1500	1790	1210	6	10.470
13		2000		4660		4000		1890	330		600	350x6	1500	1790	1210	6	13.573
16		2000		5660		5000		2200	330		600	350x6	1500	1790	1210	6	16.675
20		2000		6810		6150		2590	330		600	350x6	1500	1790	1210	6	20.243
25		2000		8660		8000		3100	330		600	400x6	1500	1840	1160	6	25.983
20		2500		4800		4000		2820	400		600	400x7	1950	2290	1610	7	21.549
25		2500		5800		5000		3200	400		600	400x7	1950	2290	1610	7	26.402
30		2500		6800		6000		3680	400		600	400x7	1950	2290	1610	7	31.255
40		2500		8800		8000		4575	400		600	400x7	1950	2290	1610	7	40.961
20		2900		3900		3000		3900	450		600	450x9	2400	2790	2010	9	22.767
30		2900		5400		4500		4490	450		600	450x9	2400	2790	2010	9	32.552
40		2900		6900		6000		5410	450		600	450x9	2400	2790	2010	9	42.337
50		2900		8400		7500		6640	450		600	450x9	2400	2790	2010	9	52.122
60		2900		9900		9000		7390	450		600	450x9	2400	2790	2010	9	61.907
80		2900		12900		12000		9680	450		600	450x9	2400	2790	2010	9	81.477
100		2900		15900		15000		11670	450		600	480x9	2400	2820	1980	9	101.046

* Max filling ratio is 95% of the gross volume. All measurements are indicative and not binding.