



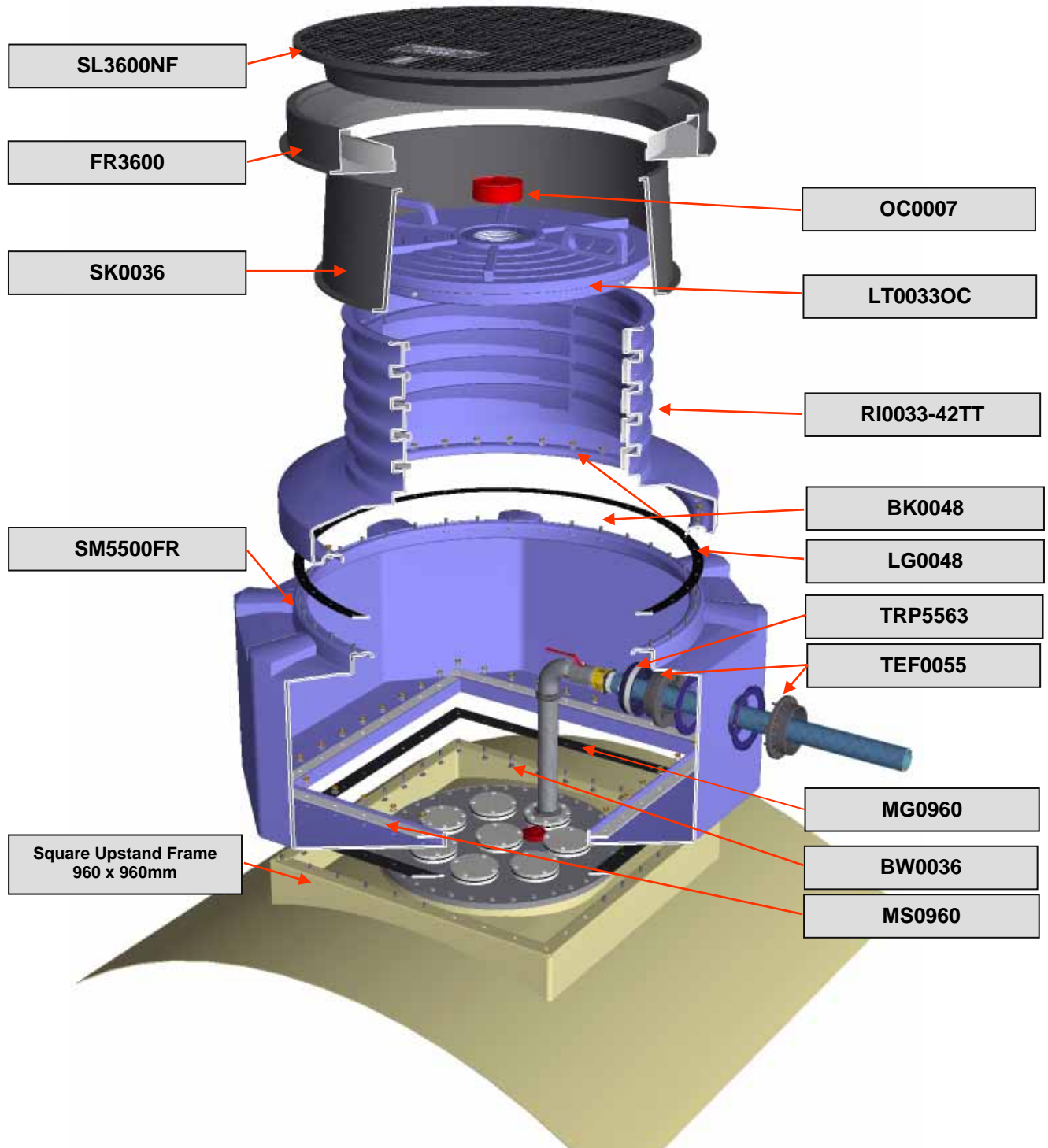
# WATERTIGHT TANK ACCESS CHAMBERS



- ◆ Spacious octagonal base for easy and comfortable access
- ◆ Large flat panels for installation of “Easy Fit” fittings, allowing pipe entries from eight different orientations
- ◆ Chamber wall thickness designed to offer the required structural strength during backfilling
- ◆ TotalTite, corrugated, height-trimmable riser
- ◆ TotalTite quarter turn locking lid with central observation cap
- ◆ Made of PE material that is easy and safe to work with
- ◆ All gaskets in Nitrile rubber
- ◆ Compatible with high blend Ethanol fuels (E85) and bio-diesel
- ◆ Vacuum testable with Magnum VI system



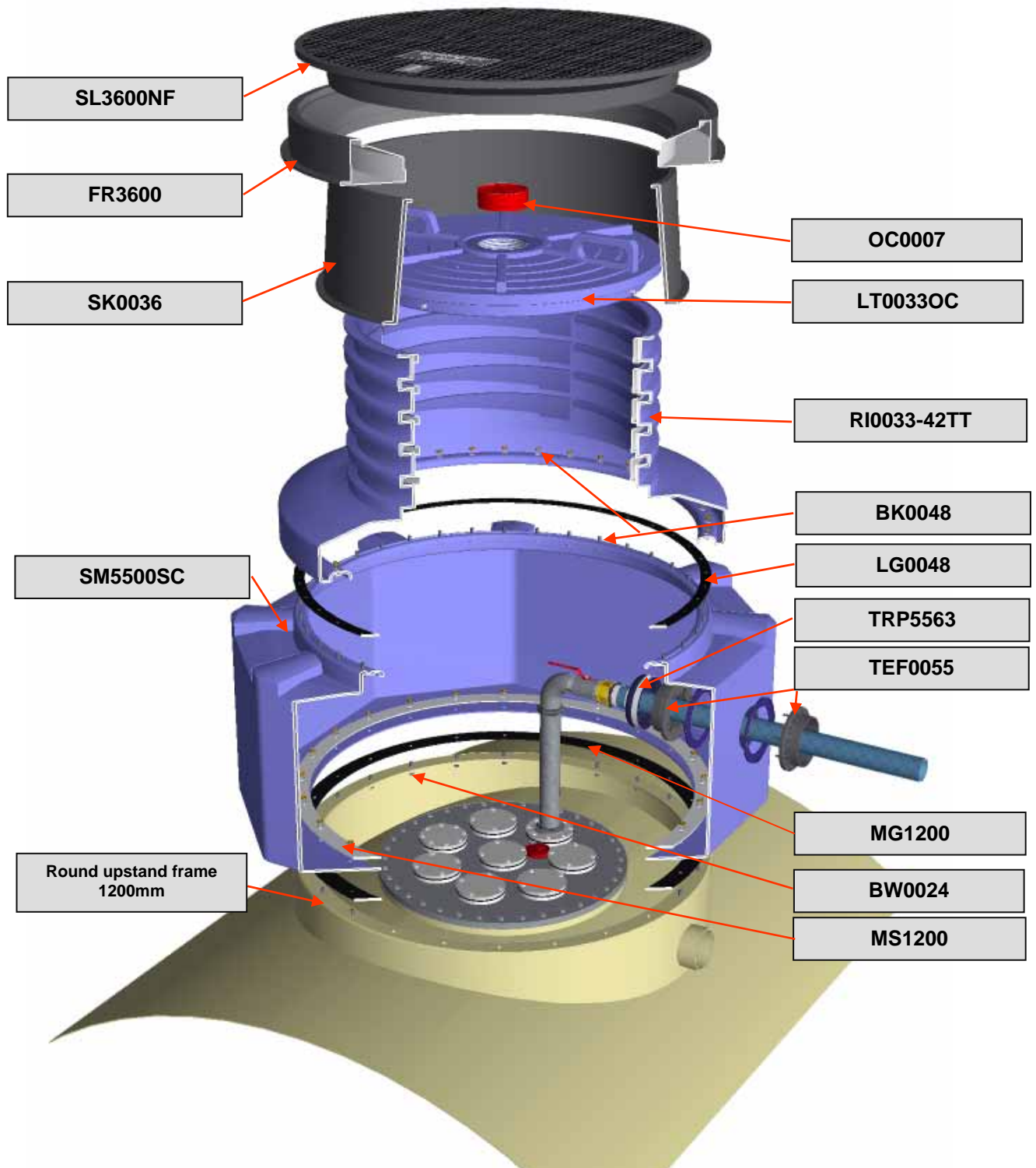
# TANK SUMP - STREET COVER KIT SM5533TFR-SL3600



The SM5500 sump base is available with plain bottom for on site cut out to match the provided tank frame. If required a composite street cover with central dipcap SL3600D is available.



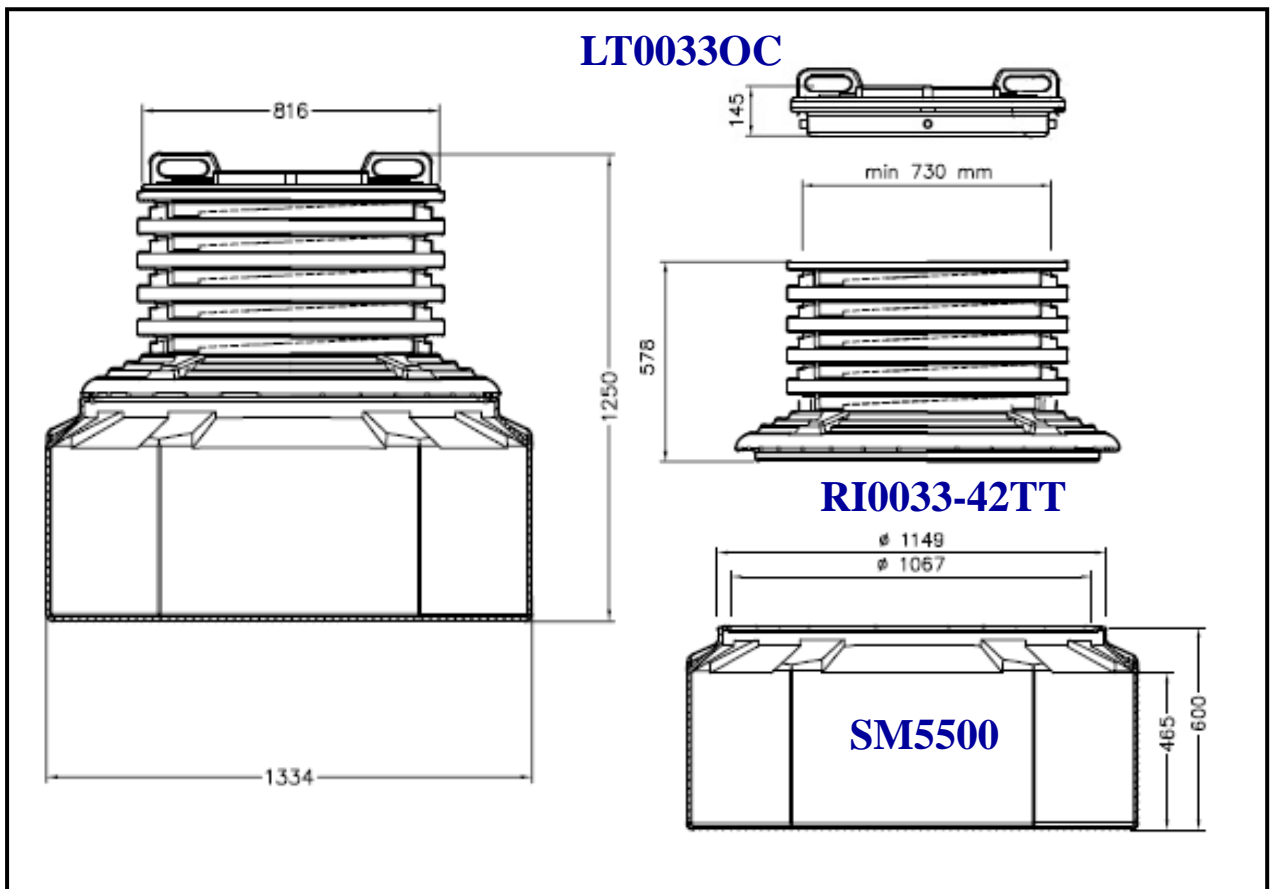
# TANK SUMP - STREET COVER KIT SM5533TTSC-SL3600



The SM5500 sump base is available with plain bottom for on site cut out to match the provided tank frame. If required a composite street cover with central dipcap SL3600D is available.



# WATERTIGHT TANK ACCESS CHAMBERS



Installation drawings available on request





# WATERTIGHT TANK ACCESS CHAMBERS

Product Code	Description
CL0800..	<u>Central Dip cap for street covers with central dip hole</u> YE : Yellow      OR : Orange      BL : Black GR : Green      PU : Purple      WH : White MA: Auburn      RD : Red      BE : Blue
FR3600 SL3600NF SL3600DNF SK0036	<u>Composite Street Cover, EN124 Class C (25ton)</u> Composite frame for 36" cover Composite cover 36", without central dipping opening Composite cover 36", with central dipping opening Skirt for FR3600 frame; 300mm deep
SM5500 SM5500FR SM5500SC LG0048 BK0048 RIO033-42TT LT00330C OC0007	<u>Tank Sump</u> Octagonal Base, 55" - 1,35m, plain bottom Octagonal Base, 55" - 1,35m, square bottom cut for upstand frame 960 x 960mm Octagonal Base, 55" - 1,35m, round bottom cut for upstand frame 1.200mm Nitrile Gasket, base to riser Bolt kit, base to riser Round Corrugated Riser, O.D. 33" - 0,83m, height 23" - 0,59m Lid O.D. 33" - 0,83m with central observation cap OC0007 Observation cap for LT00330C lid
MG0960 MS0960 BW0036	<u>Base to Tank installation kit, for square upstand frame 960x 960mm</u> Square Nitrile Gasket, 960 x 960mm Compression strips (4) for 960 x 960mm frame Bolt kit, Base to Tank Upstand Frame
MG1200 MS1200 BW0024	<u>Base to Tank installation kit, for round upstand frame 1.200mm</u> Round Gasket, 1.200mm Compression strip for 1.200mm round frame Bolt kit, Base to Tank Upstand Frame

For the pipe entry fittings consult the "EASY FIT" brochure.

